

Application

A range of fuses in a 10x38mm package specifically designed for protection and isolation of photovoltaic strings. The DC fuses are capable of interrupting low overcurrents associated with faulted PV (reverse current, multi-array fault) string arrays.

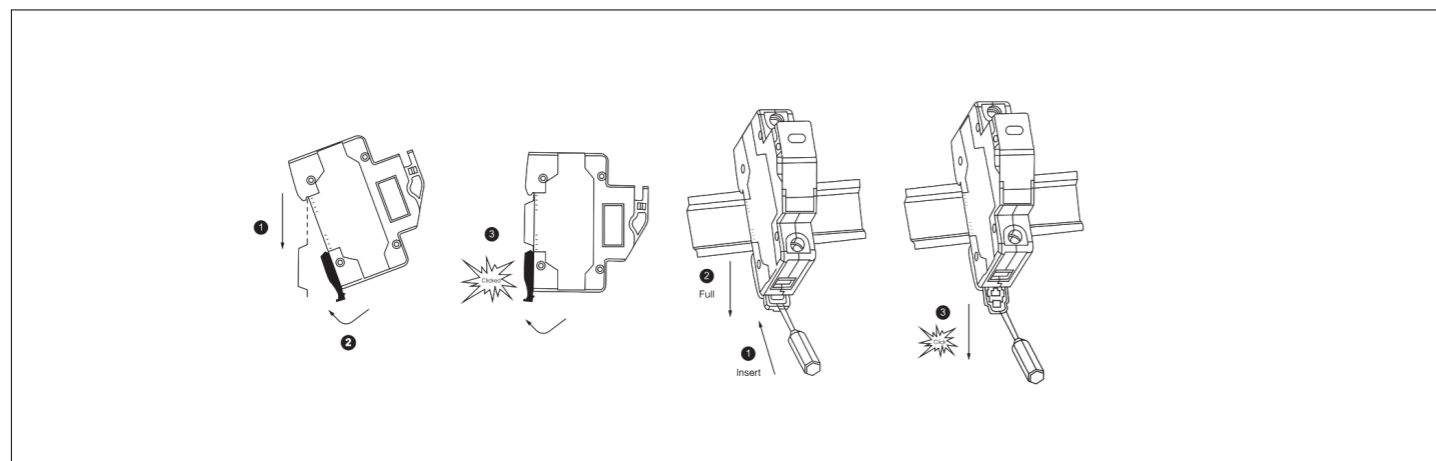


Specifications

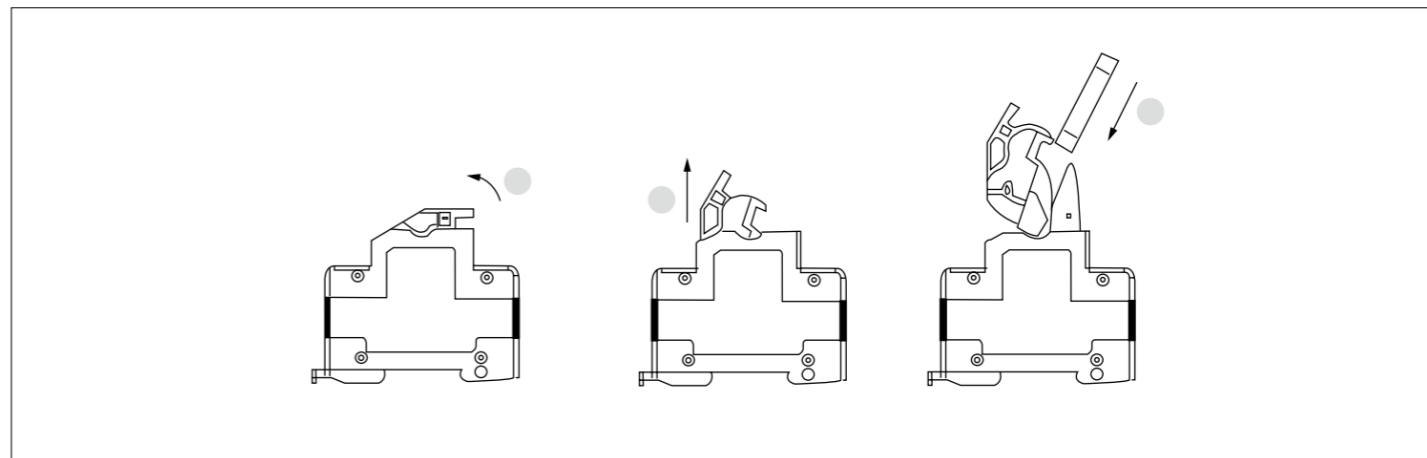
| | |
|----------------------------------|---|
| Product Model | YRPV-30 |
| Colour | White |
| Breaking capacity | 20kA |
| Rated Current (A) | 2A, 3A, 4A, 5A, 6A, 8A, 10A, 12A, 15A, 20A, 25A, 30A, 32A |
| Rated Voltage(V DC) | 1000 |
| Installation | Rail installation |
| Fuse link size(mm ²) | 10*38 |

Features

1. Rated voltage 1000VDC
2. Rated breaking capacity 20kA dc
3. Minimum interrupting rating 1.3x I_n
4. Time constant under 1ms
5. Standard EN/ IEC 60269-6



Replacement fuse



Dimension

