

Application

NBT1-63 have protective function as overload, and are used in lighting distribution system in industry commerce and dwelling, and protect fractional electric motors. And they also have many merits of high protective grade(up to IP20), high breaking capacity, reliable sensitive, action convenient, multi pole assembling, long life ect. The are mainly adapted to the circuit of AC 50Hz, 250V in single pole, 415V in double, three, four poles for protecting overload and short circuit. Mean while, they are also used in turning on or off the electric apparatus and lighting circuit under the normal conditions.



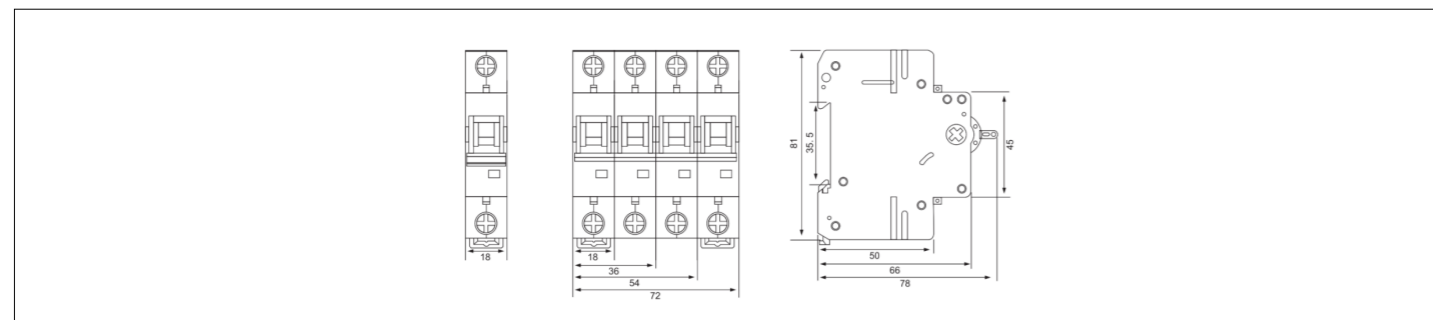
Specifications

Product Model	NBT1-63			
Pole	1P	2P	3P	4P
Rated Current (A)	6, 10, 16, 20, 25, 32, 40, 50, 63			
Rated Voltage (V)	230/400	400	400	400
Breaking Capacity(kA)	6			
Colour	White and transparent			
Characteristic Curve	C			
Working Temperature	-5°C ~ +40°C			
Enclosed Class	IP20			
Standard	IEC60898-1			
Frequency	50/60Hz			
Electrical Life	Not less than 8000 times			
Mechanical Life	Not less than 20000 times			

Wiring diagram

Pole	1P	2P	3P	4P
Contacts Configurations				

Dimension



Application

DZ30 miniature circuit breaker is used in the single phase residual current of AC50/60Hz, rated voltage 220V or below for protecting electron circuit from overload and short circuit. This product has advantages of high breaking capacity, small volume, width is only 18mm. Zero and live wire are cut off at the same time, preventing the person and fire danger. It is the idealist distribution protective switch in the civil residence field at present. This product conforms to the requirement of IEC60898.



Specifications

Product Model	DZ30-32
Pole	1P+N
Rated Current (A)	10, 16, 20, 25, 32
Rated Voltage (V)	230
Breaking Capacity(kA)	6
Colour	White
Characteristic Curve	C
Working Temperature	-5°C ~ +40°C
Enclosed Class	IP20
Standard	IEC60898-1
Frequency	50/60Hz
Electrical Life	Not less than 8000 times
Mechanical Life	Not less than 20000 times

Features

1. Mini Circuit Breaker is for non-professional operation by those untrained, and no maintenance is required
2. 1P+N with 1Poles size 18mm width
3. Flame-retardant PA66 nylon material

Dimension

