

Application

NBT2-125DC high breaking capacity circuit breaker is specially for solar PV system. The current is from 63A to 125A and voltage up to 1000VDC. Standard according to IEC/EN60947-2.



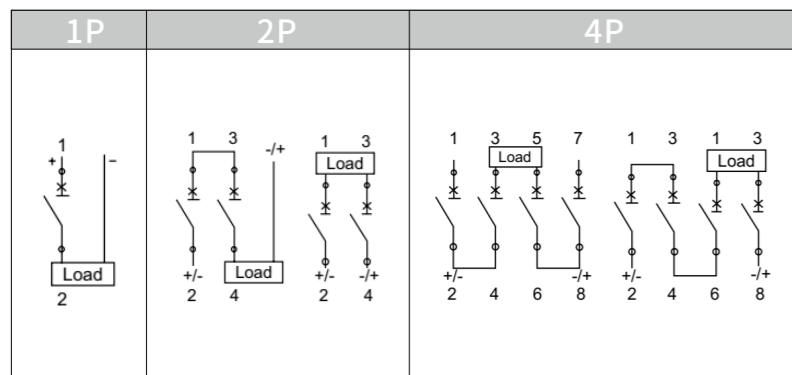
Specifications

Product Model	NBT2-125DC		
Pole	1P	2P	4P
Rated Current (A)	100, 125	100, 125	80, 100, 125
Rated Voltage (Vdc)	300	600	1000
Breaking Capacity(kA)	10		
Characteristic Curve	C		
Working Temperature	-5°C ~ +40°C		
Enclosed Class	IP20		
Standard	IEC60947-2		
Electrical Life	Not less than 8000 times		
Mechanical Life	Not less than 20000 times		

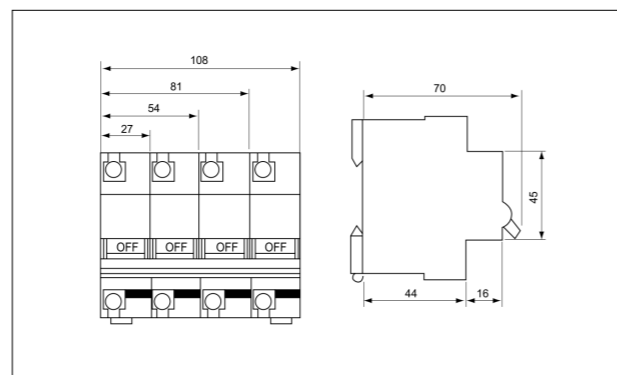
Features

1. Overload and the short circuit protection function
2. Rated short circuit breaking capacity up to 6kA
3. Non-polarity and Polarity both available
4. Rated Current In up to 125A
5. Rated Voltage up to 1000V
6. Designed for PV, energy storage and other DC applications
7. AS 60947.3:2018 and IEC60947.1:2015 standard
8. 2 years warranty, product insurance, and recall insurance available

Wiring diagram



Dimension



Application

YTTM1 series Moulded Case Circuit Breaker is designed to distribute power and protect the circuit and power equipment against overload in solar system. It is apply to rating current 1250A or less, direct current rating voltage 1500V or less. Products according IEC60947-2, GB14048.2 standard. YTTM1 series Moulded Case Circuit Breaker is designed to distribute power and protect the circuit and power equipment against overload in solar system. It is apply to rating current 1250A or less, direct current rating voltage 1500V or less. Products according IEC60947-2, GB14048.2 standard.



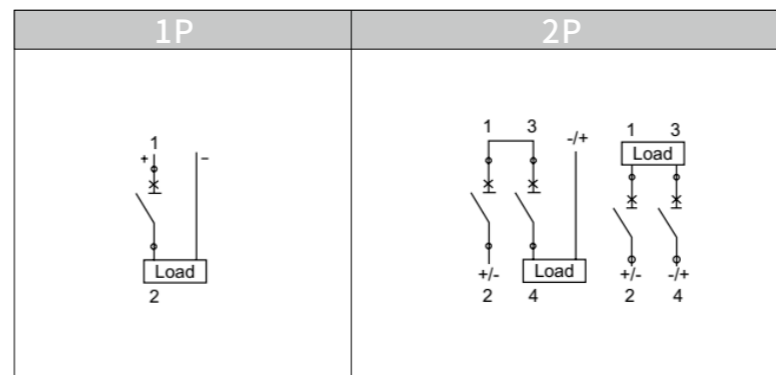
Specifications

Product Model	YTTM1-250/PV2	
Pole	1P	2P
Colour	White	
Rated Working Voltage(Vdc)	250	160, 200, 250
Rated Insulated Voltage(Vdc)	250	550
Breaking Capacity(kA)	1500	
Limiting Short Circuit Breaking Capacity(kA)	25	
Operating Short Circuit Breaking Capacity(kA)	19	
Characteristic Curve	C	
Standard	IEC60947-2	

Features

1. High Breaking Capacity, reliable insulating
2. Over load protection and short-circuit protection
3. Frequency operating and isolating

Wiring diagram



Dimension

