

Application

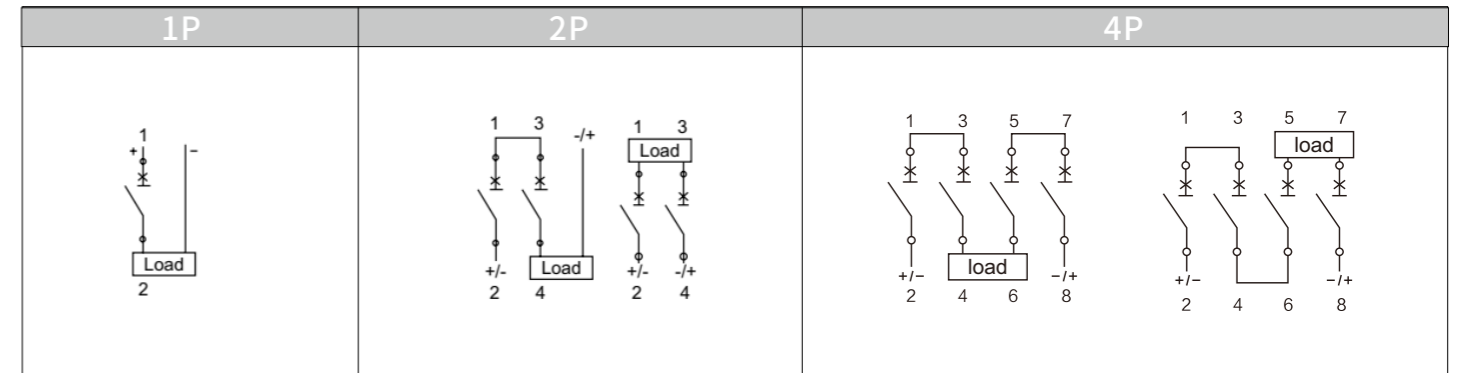
NBL7-63 DC MCB supplementary protectors are designed to provide over-current protection within appliances or electrical equipment, where a branch circuit protection is already provided or not required. Devices are designed for direct current (DC) control circuit applications.



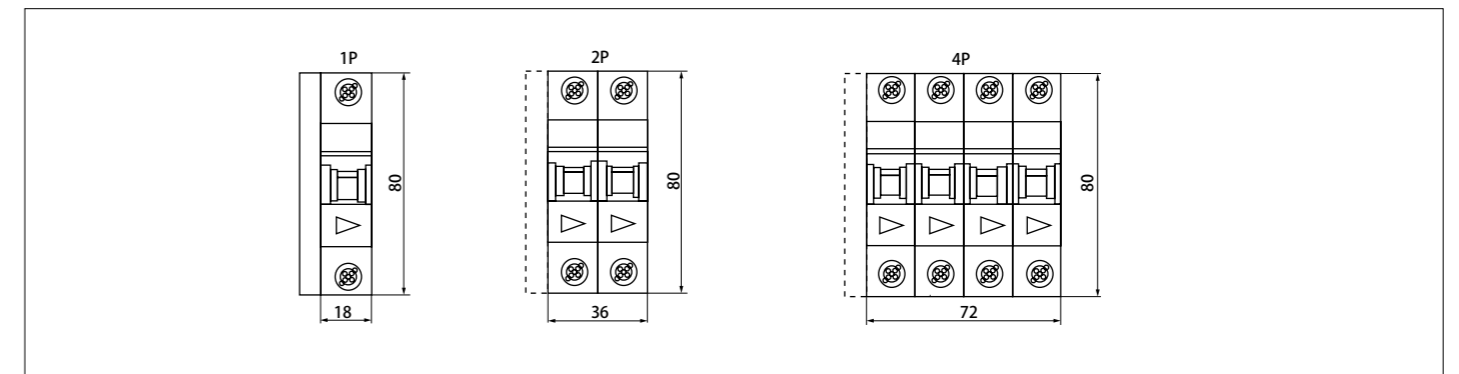
Specifications

Product Model	NBL7-63		
Pole	1P	2P	4P
Frame Current	63A		
Rated Current	I_n	6, 10, 16, 20, 25, 32, 40, 50, 63 A	
Rated Working Voltage	$U_e(\text{DC})$	300V	500/600/1000V
Rated Insulation Voltage	U_i	1200V	
Rated Impulse Withstand Voltage	U_{imp}	6kV	
Breaking Capacity	I_{cu}	6KA	
Tripping Characteristic	C		
Tripping Type	Thermal Magnetic		
Electrical Life	Actual	500 Cycles(63A Frame)	
	Standard	300 Cycles	
Mechanical Life	Actual	10000 Cycles(63A Frame)	
	Standard	9700 Cycles	
Overvoltage Category	III		
Pollution Degree	3		
Ingress Protection	IP40 Wiring Port IP20		
Resistance To Humidity And Heat	Class 2		
Terminal Capacity	2.5 x 35mm ²		
Fastening Torque Of Terminals	2.0°C 3.5Nm		
Ambient Temperature	-30°C ~ +70°C		
Storage Temperature	-40°C ~ +85°C		
Installation Method	DIN		
Standard	IEC60947-2		

Wiring diagram



Dimension



Tripping Characteristic

