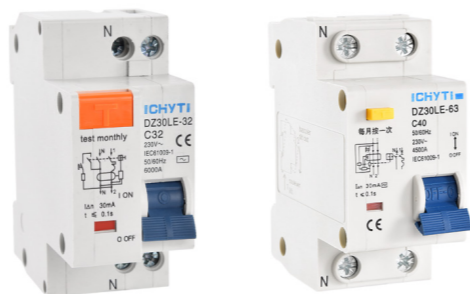


Application

DZ30LE leakage protective breaker, leakage protective breaker (phase wire+neutral wire+leakage+overload voltage)protective breaker is used in the single phase residence circuit of AC 50HZ/60HZ, rated voltage 220V, used as electron shock protection. It can protect civil electron circuit from over load and short-circuit. This product has advantages of small volume, high breaking capacity zero, and live wires are cutted off at the same time, also protecting person from electric shock when the livewire connected opposite.



Specifications

Product Model	DZ30LE-32	DZ30LE-63
Pole	1P+N	
Rated Current (A)	10, 16, 20, 25, 32	40, 63
Rated Residual Operating Current(mA)	30	
Rated Residual Non-operating Current (mA)	15	
Rated Voltage (V)	230	
Residual Current Off-time	≤0.1S	
Short Circuit Capacity(Icu)	6000A	4500A

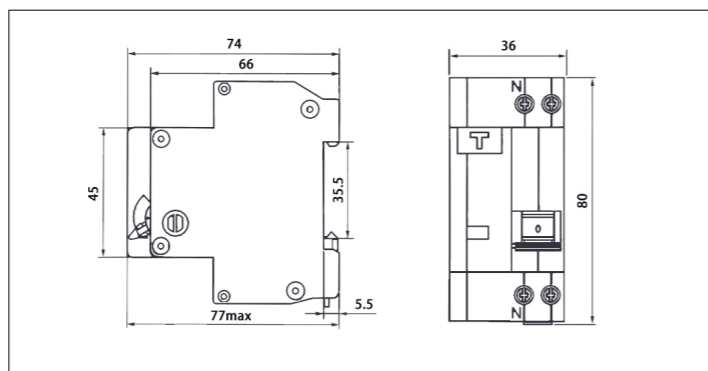
Overload Trip Characteristic

Testing Current (A)	Rated Voltage (V)	Limited Time	Pre-engage Result	Start Situation	Note
1.13In	all	t≥1h	non-trip	cold state	The current rise steadily to a fixed value within 5s
1.45In	all	t<1h	trip	heat state	
2.55In	all	1s<t<60s	trip	cole state	Open the supplementary switch , connect the power
5In	all	t≥0.1s	non-trip	cold state	
10In	all	t<0.1s	trip	cole state	

Features

- 1.The indicator window will turn to red when the RCBO trip off by earth leakage
- 2.The indicator window won't turn to red by switching on the handle
- 3.Residual current type: AC type
- 4.This product conforms to IEC61009

Wiring diagram



Application

PYL1-32 series mini circuit breaker is used in the single phase residual current of AC50/60Hz, rated voltage 230V or below for protecting electron circuit from overload and short circuit. This product has advantages of high breaking capacity, small volume, width is only 18mm. Zero and live wire are cut off at the same time, preventing the person and fire danger. It is the idealist distribution protective switch in the civil residence field at present. This product conforms to the requirement of IEC61009.



Specifications

Product Model	PYL1-32
Pole	1P+N
Rated Current (A)	6, 10, 16, 20, 25, 32
Rated Residual Operating Current(mA)	30
Rated Residual Non-operating Current (mA)	15
Rated Voltage (V)	240
Residual Current Off-time	≤0.1S
Short Circuit Capacity(Icu)	3000A

Features

1. Provides protection against earth fault/leakage current and function of isolation
2. High short-circuit current withstand capacity
3. Applicable to terminal and pin/fork type busbar connection
4. Fire resistant plastic parts endures abnormal heating and strong impact
5. Automatically disconnect the circuit when earth fault/leakage current occurs and exceeds the rated sensitivity
6. 1P+N with 1Pole size 18mm width